

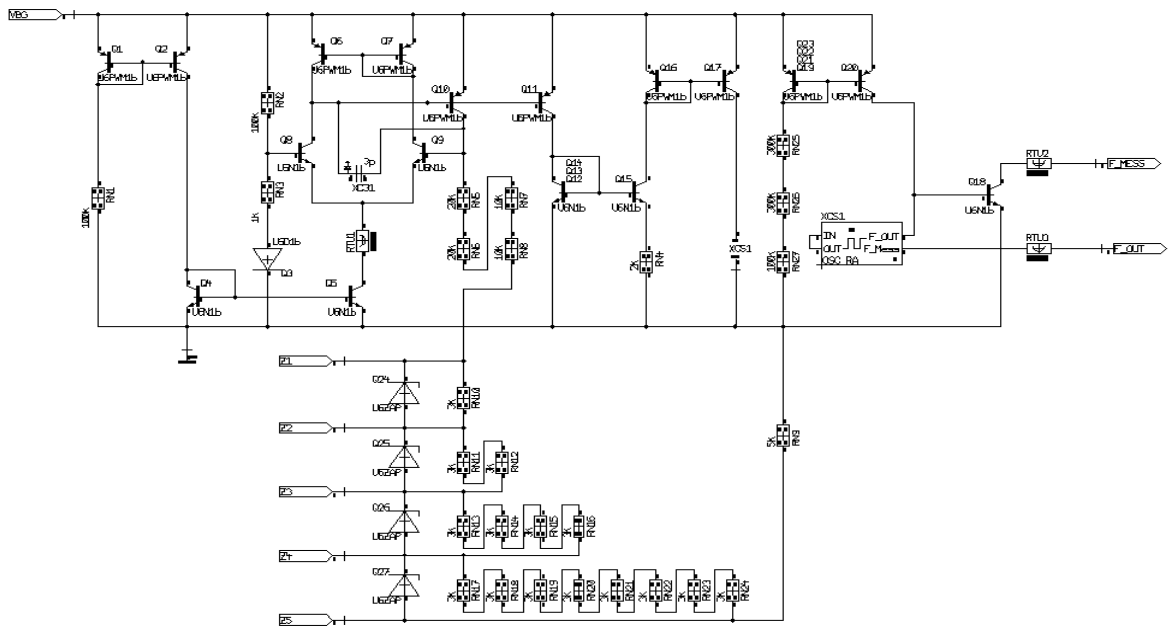
TEMPERATURE COMPENSATED OSCILLATOR

The ring oscillator OSC123RZ offers very high frequency stability and a low temperature coefficient. In most applications the OSC123RZ can replace standard quartz oscillators. Integrated zapping diodes allow a frequency alignment after production.

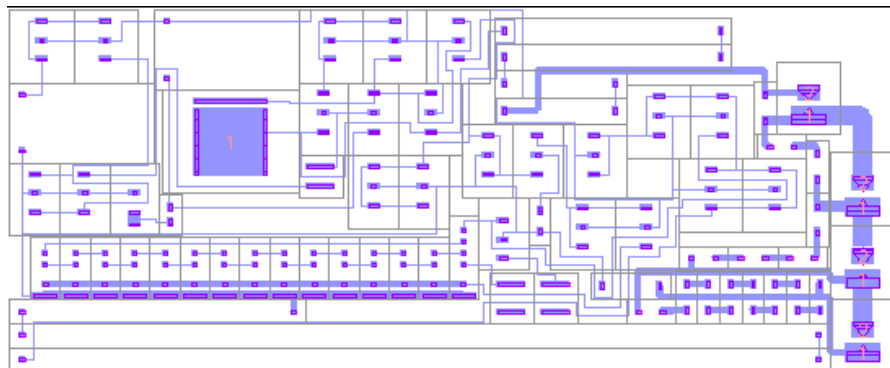
Specifications of OSC123RZ

	Conditions	min.	typ.	max.	Unit
Supply current I _{cc}	V _{cc} = 5V		30	40	μA
Frequency f	V _{cc} = 5V	121	123	125	kHz
Temperature coefficient TC	-20°C ≤ T ≤ 80°C			0.12	%/K
	5°C ≤ T ≤ 70°C			0.06	%/K

Schematics



Layout



Cell size 129.8 μm x 156.6 μm