

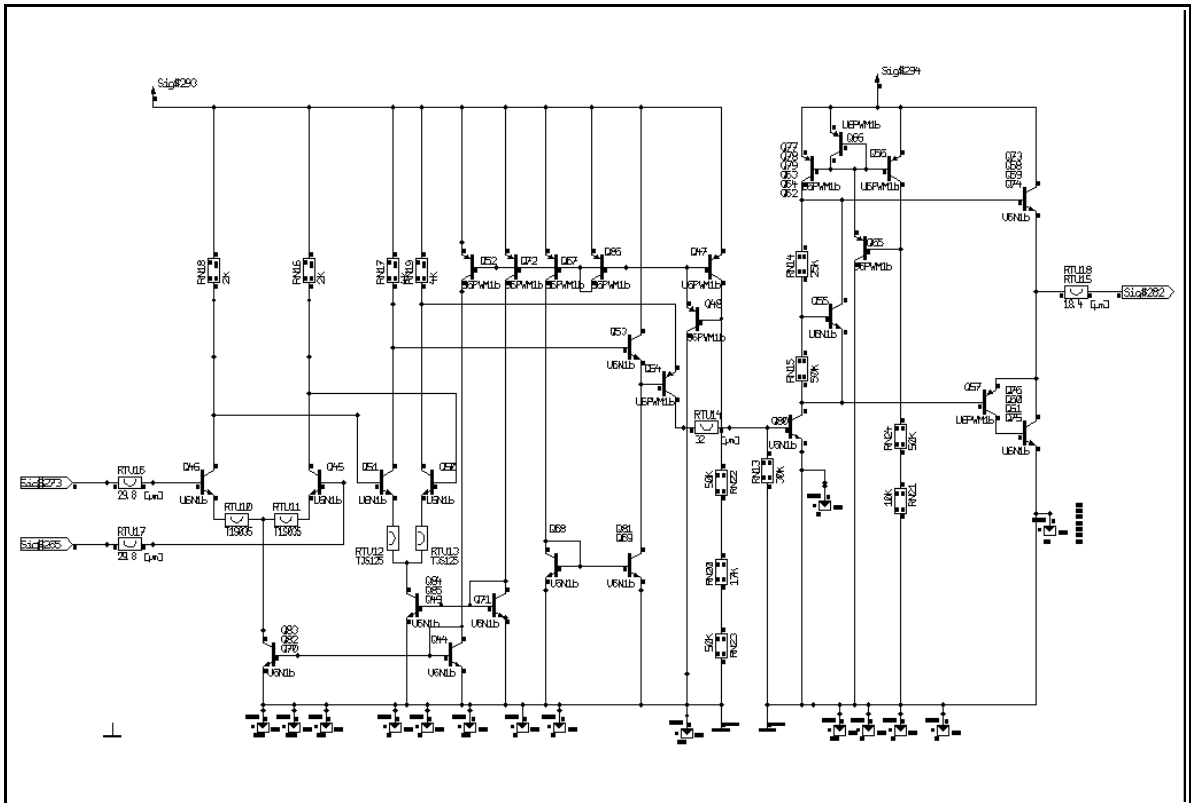
# FAST COMPARATOR

The comparator CP106F offers propagation delay times of less than 29ns and a low power dissipation of 2.5mW. The TTL output stage is suitable for connection of external components.

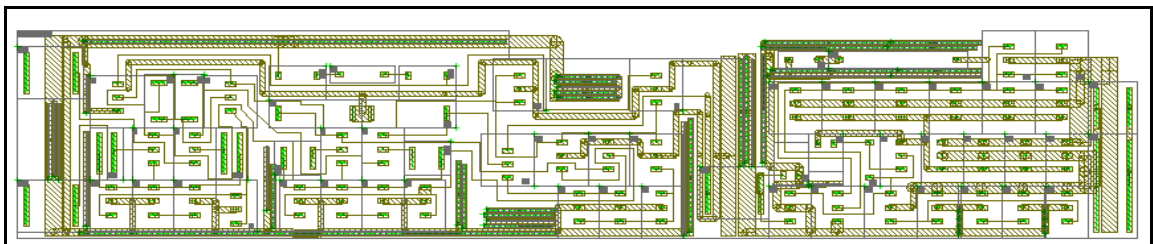
## Specification of the CP106F

	Conditions	min.	typ.	max.	Unit
Supply current $I_{cc}$	$V_{cc} = 5V$		470		$\mu A$
Input bias current $I_{iB}$	$V_{cc} = 5V$		1.2	2	$\mu A$
Propagation delay time $t_p$	load 500k $\Omega$ , 15pF	25		29	ns
Maximum frequency $f_{max}$	load 500k $\Omega$ , 15pF		8		MHz

## Schematics



## Layout



Cell size 774.8  $\mu m$  x 156.8  $\mu m$