

TARGET 3001! V9 Chip Design Station

System Software for ASIC Design

Moderately priced
Integrated Design System
for Full Custom ASICs

- **Schematic Editor**
- **Simulation**
- **Layout**
- **Cell Generator**
- **Design Rule Check**

For all Design Tasks –
from Small to Complex Projects

- **Easy to use**
- **Moderate price**
- **Complete design flow in one program**
- **For Windows 95/98/2000/NT platforms**
- **Direct interface to PREMA mask shop and wafer production**

The whole ASIC Design Flow in one Package guaranteeing the consistency of schematics, simulation and layout.

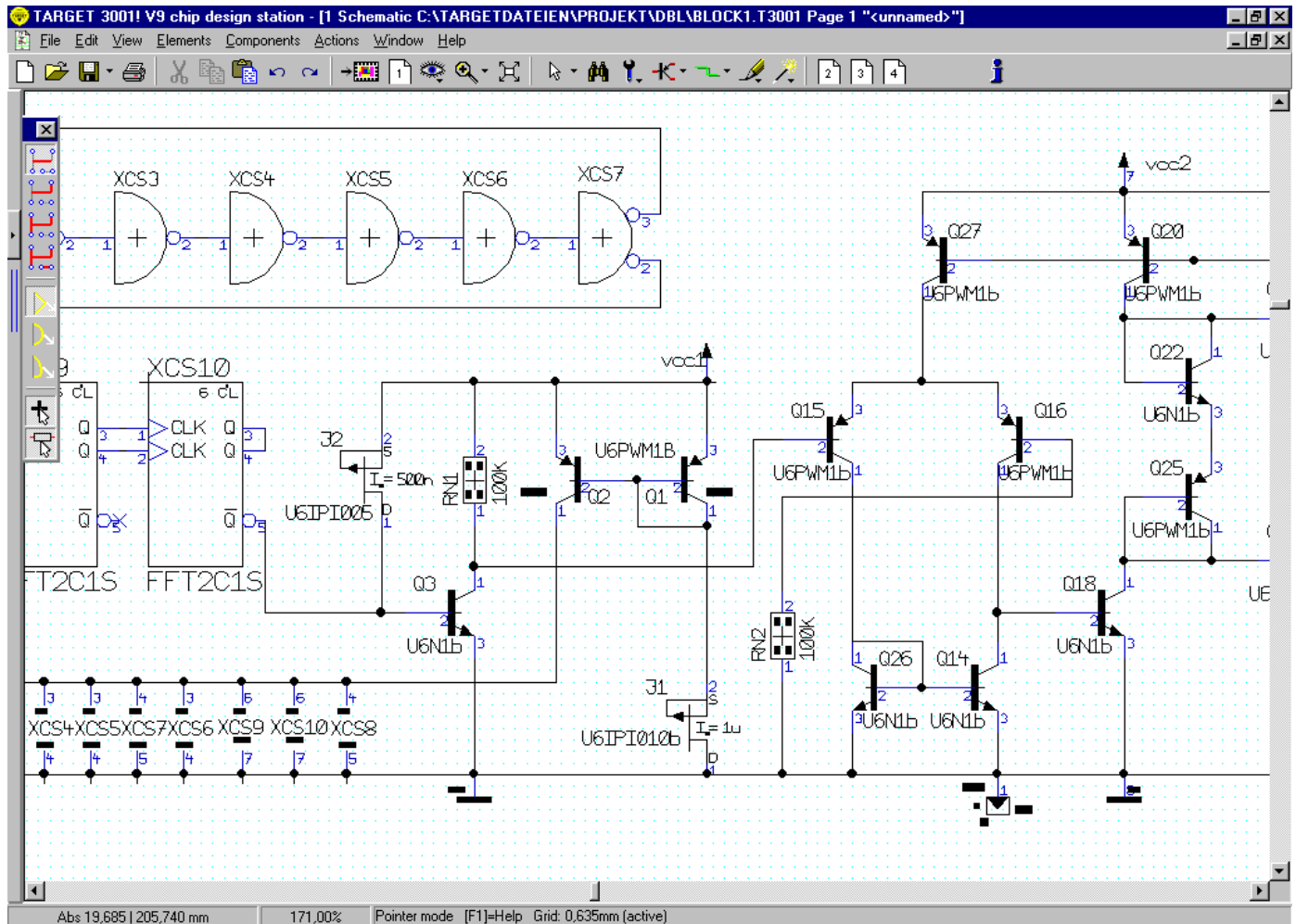


Fig. 1: Schematic Editor

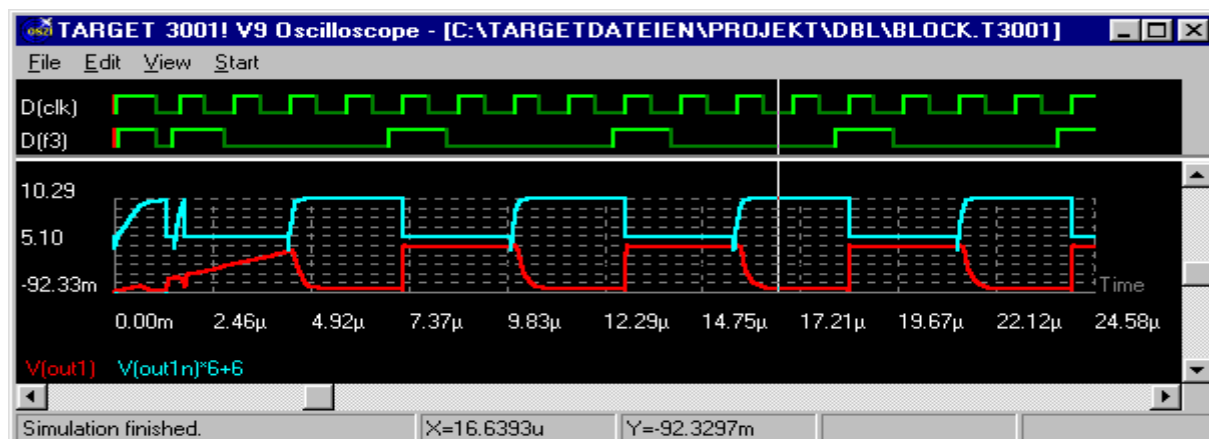


Fig. 2: Mixed-Mode Simulation with TARGET Spice Simulator

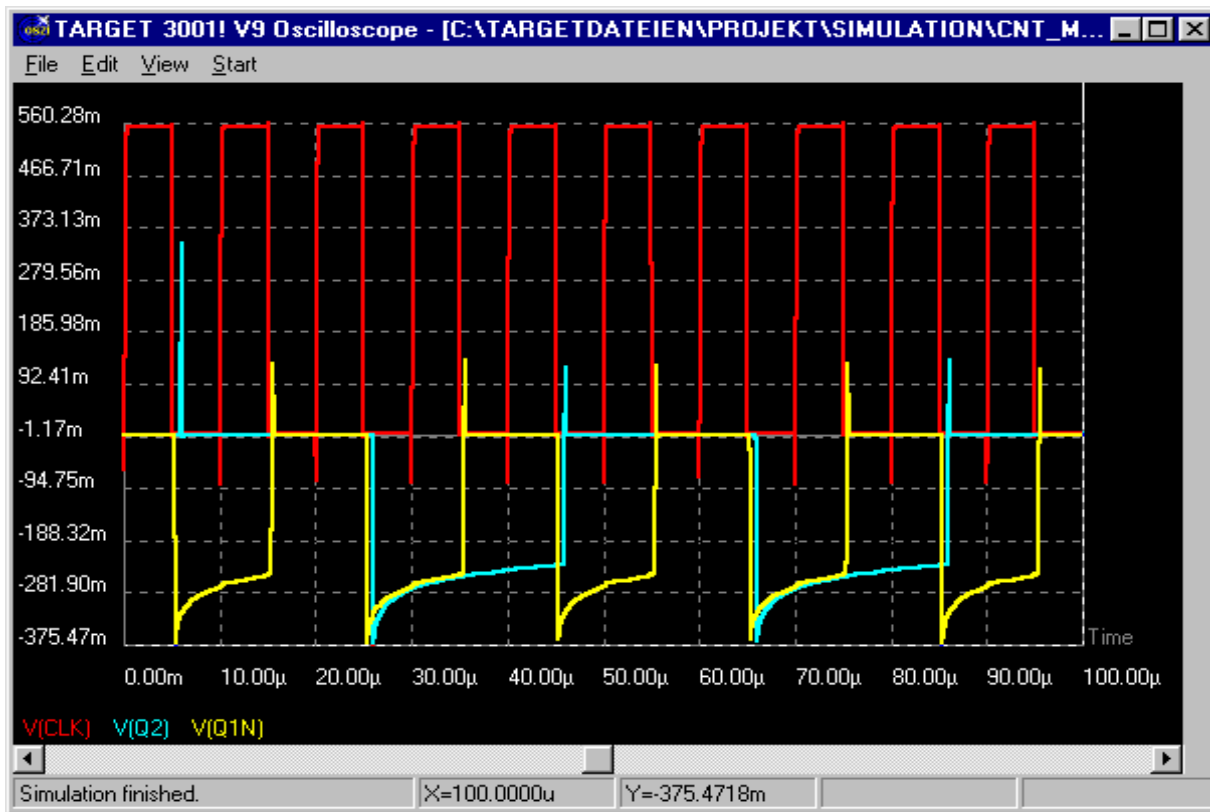
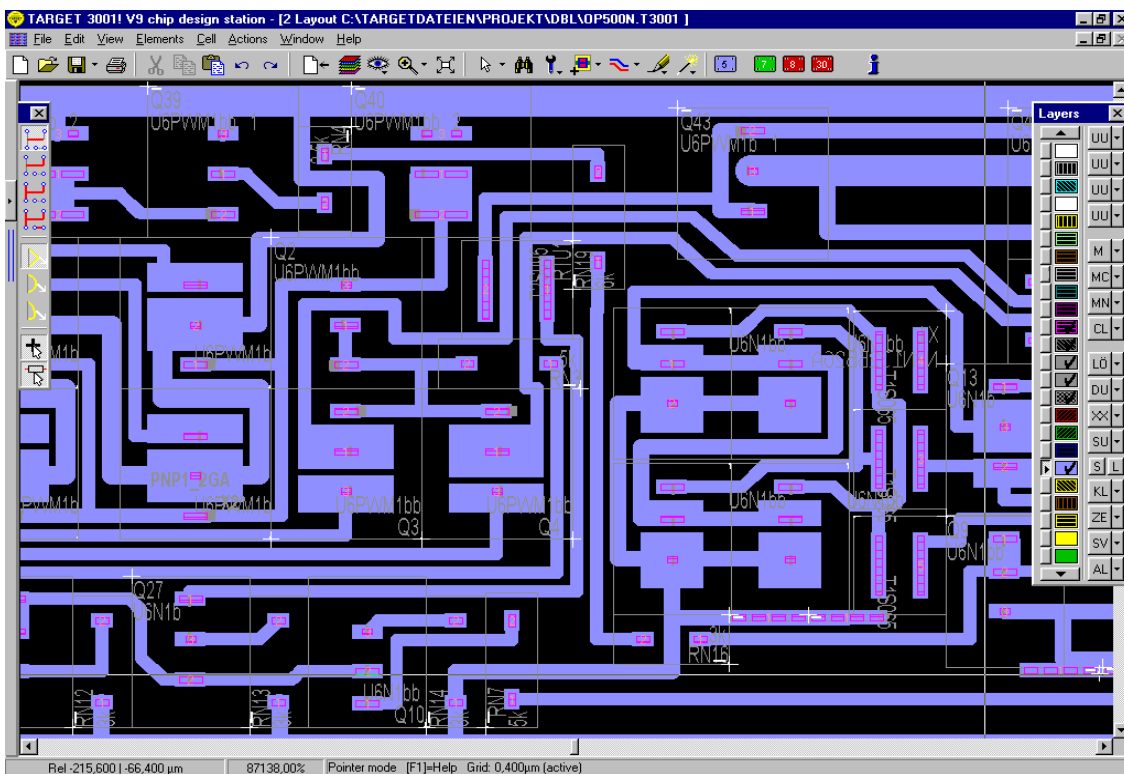


Fig. 3: Analog Simulation with TARGET Spice Simulator



TARGET 3001! V9 Chip Design Station

- Best library support
- Cell generator for scalable components (resistors, capacitors, current sources etc.)
- **TARGET 3001! Chip Design Station** is adapted to PREMA design rules
- Direct interface from **TARGET 3001! Chip Design Station** data to PREMA's mask shop, thus providing fastest production start

Features

- Switch between schematic and layout by pressing one key
- Integrated SPICE simulator or interface to external Pspice simulator
- Real time data integration (forward / back annotation)
- Real time optimization of floor plan
- Drag & Drop library browser and placement of components
- Variable generation of several components
- Design rule check
- Intuitive Windows user interface
- Undo / Redo with 50 steps
- Open ASCII interface for input and output

Prices

- Single and multi user licenses upon request

TARGET 3001! Chip Design Station
is developed by:

Ing.-Büro Friedrich
Am Schwarzen Rain 1
D-36124 Eichenzell • Germany
Tel. +49-6659-919 444
Fax +49-6659-919 445
email: target@ibfriedrich.com
<http://www.ibfriedrich.com>

PREMA Semiconductor GmbH

Robert-Bosch-Str. 6
D-55129 Mainz, Germany
Tel. +49-6131-5062-0
Fax +49-6131-5062-22
email: semic@prema.com
<http://www.prema.com>